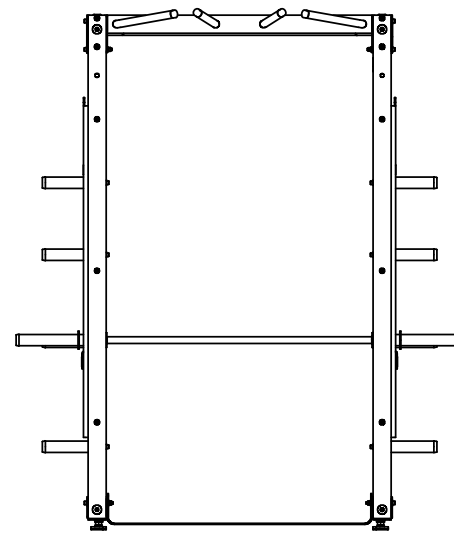
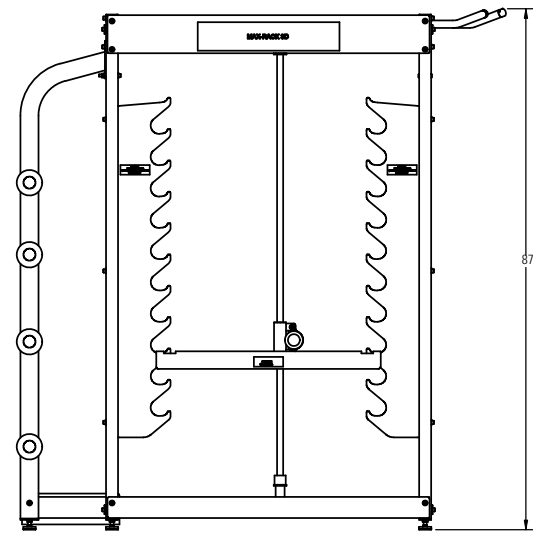
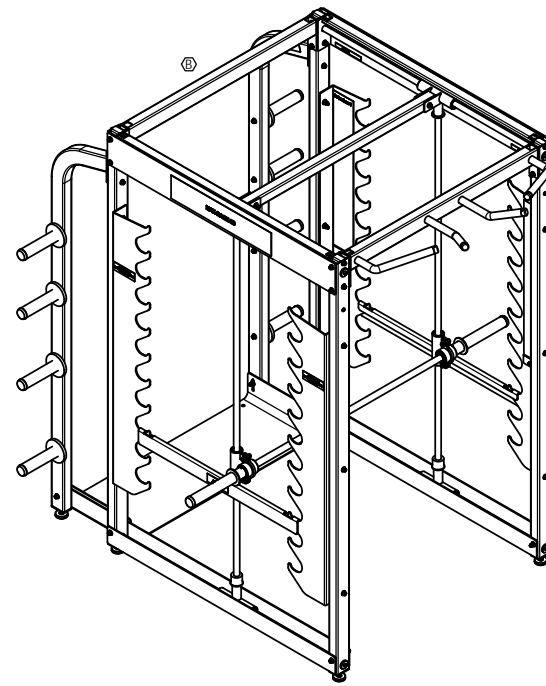
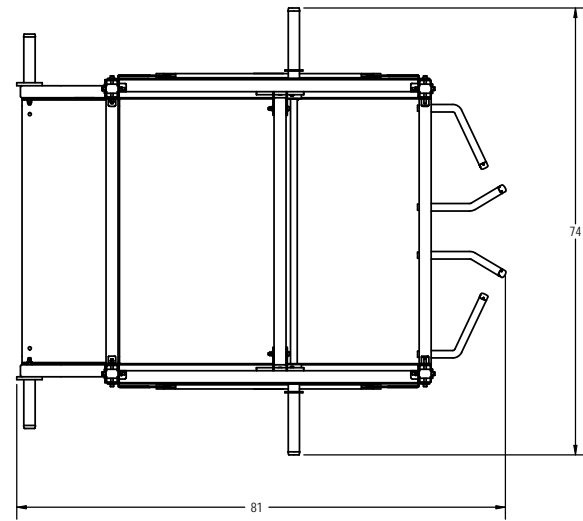


REVISION HISTORY				
REV	DATE	DESCRIPTION	ECO	BY
A	10/2/2008	PRODUCTION RELEASE	100316	SLS
B	2/9/2010	3250-0064 WAS 3350-0030	100626	CSM



ITEM NO.	PART NUMBER	DESCRIPTION	PLANT QTY.
1	2120-4171	VERTICAL LINEAR GUIDE ROD	2
2	2120-4172	HORIZONTAL GUIDE ROAD	4
3	2120-4173	TUBE, CONNECTOR, BEARING HSG	1
4	2120-4176	PLATE, BOTTOM INSIDE BRACE	2
5	2120-4177	PLATE, BOTTOM SIDE BRACE	2
6	2140-0487	PLATE, BENT, REAR BACK FOOT	1
7	3350-0013	ASSY, MECH, VERTICAL TUBE	4
8	3350-0014	ASSY, MECH, UPPER SIDE BRACE	2
9	3350-0015	ASSY, MECH, BACK RIGHT VERT. TUBE	1
10	3350-0016	ASSY, MECH, BACK LEFT VERT. TUBE	1
11	3350-0017	ASSY, MECH, FRONT RIGHT ADJ. PLATE	1
12	3350-0018	ASSY, MECH, BACK LEFT ADJ. PLATE	1
13	3350-0019	ASSY, MECH, FRONT LEFT ADJ. PLATE	1
14	3350-0020	ASSY, MECH, BACK RIGHT ADJ. PLATE	1
15	3350-0021	ASSY, MECH, SAFETY CATCH	2
16	3350-0022	ASSY, MECH, BRG HSG, UPPER	2
17	3350-0023	ASSY, MECH, BRG HSG, LOWER	2
18	3350-0024	ASSY, MECH, BRG HSG, VERTICAL	2
19	3350-0025	ASSY, MECH, WEIGHT HOLDER	8
20	3350-0026	ASSY, MECH, OLYMPIC BAR	1
21	3350-0029	ASSY, MECH, PULL-UP BARS	1
22	3250-0064	ASSY, WELD, TOP REAR BRACE	1
23	4600-0044	WASHER, 1.5 OD X 3/8 ID, ZINC	8
24	2120-4175	PL WASHER, UPPER HORZ GUIDE ROD	8
25	2120-4197	TUBE, BRIDGE	4
26	4220-0052	SCREW, 3/8-16, 4.25, SHC, HK, AS, ZP	12
27	4220-0054	SCREW, 3/8-16, 3.25, SHC, HK, AS, ZP	26
28	4220-0056	SCREW, 3/8-16, 1.50, SHC, HK, AS, ZP	12
29	4220-0062	SCREW, 3/8-16, 0.50, SHC, HK, AS, ZP	8
30	4500-0018	NUT, 3/8-16, NYLOC, NE, STL, Z	40
31	4600-0009	WASHER, SAE, 3/8-16, Z	86
32	4900-0157	STOP, 1R X 1 3/8, F-DAS	2
33	4900-0596	HOLE PLUG, BLACK, 13/32" ROUND	4

- NOTES:
1. INTERPRET DRAWING PER ASME Y14.5M-1994.
  2. REMOVE ALL BURRS AND SHARP EDGES .015/.030.
  3. IF APPLICABLE, CRITICAL DIMENSIONS LABELED.
  4. EST. GROSS WT. 700 LBS.

DOCUMENT STATUS:  
**RELEASED**

UNLESS OTHERWISE SPECIFIED DIMENSIONS ARE IN INCHES. TOLERANCES ARE:  
DECIMALS: .015  
FRACTIONS: 1/32  
ANGLES: .5°  
HOLE DIA: .005  
HOLE DIA: .010

THIRD ANGLE PROJECTION

MATERIAL  
SEE BOM

FINISH  
UNIT TO BE FULLY PACKAGED. ALL HARDWARE & OWNERS MANUAL TO BE IN A SEPARATE BOX (PIN).

VENDOR: P/N:

UNLESS OTHERWISE SPECIFIED DIMENSIONS ARE IN INCHES. TOLERANCES ARE:  
DECIMALS: .015  
FRACTIONS: 1/32  
ANGLES: .5°  
HOLE DIA: .005  
HOLE DIA: .010

UNISEN, INC. DBA 14410 Myford Road  
Irvine CA 92606

STAR TRAC

9PR-R8505A01AAS

MAX-RACK 3D SMITH

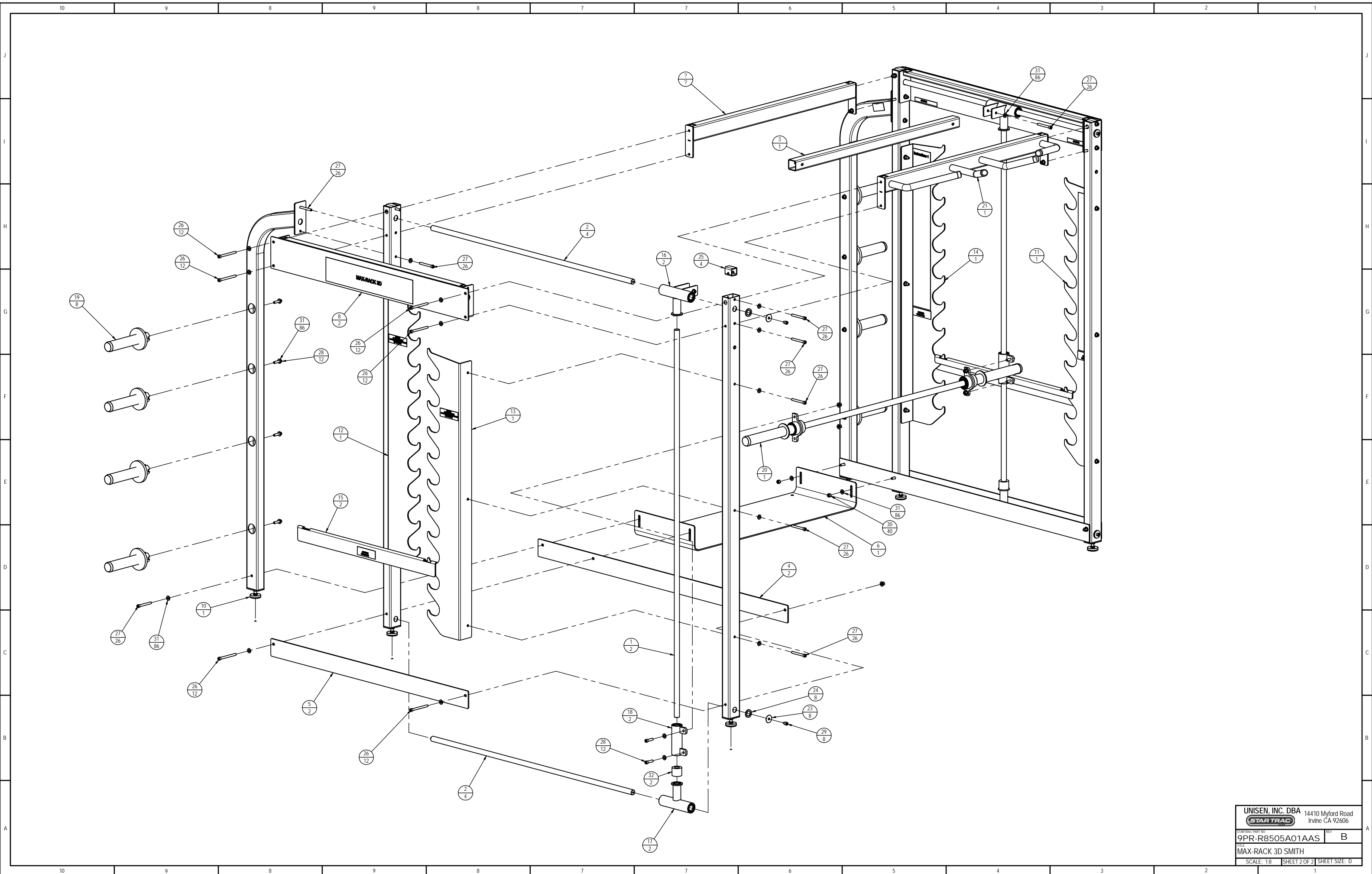
SCALE: 1:16 SHEET 1 OF 2 SHEET SIZE: D

DRAWN: SLS DATE: 9/16/2008

CHECKED: SLS

APPROVED: SLS

REV: B



UNISEN, INC. DBA		14410 Myford Road	
STAR TRAC		Irvine CA 92606	
9PR-R8505A01AAS	REV	B	
MAX-RACK 3D SMITH			
SCALE: 1/8"	SHEET 2 OF 2	SHEET SIZE: D	